



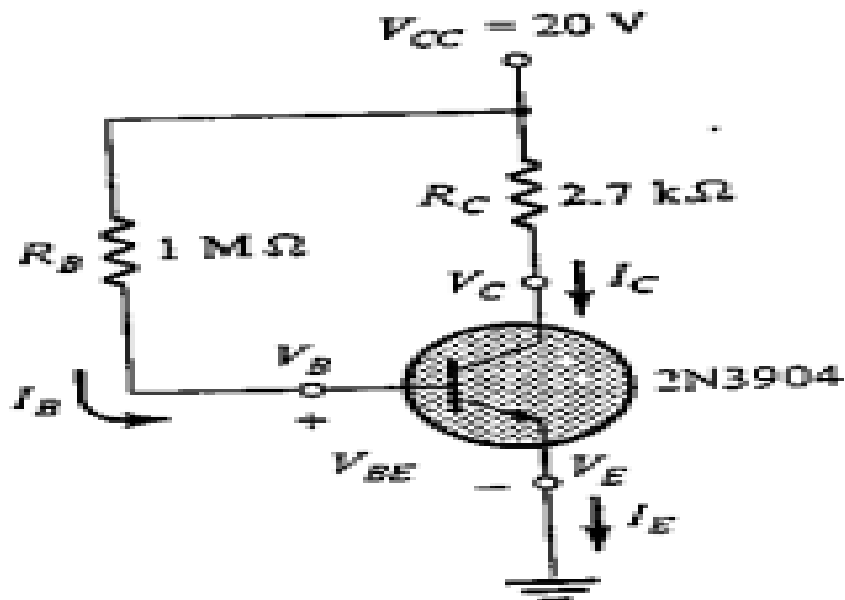
ÇANKAYA UNIVERSITY

ELECTRONIC AND COMMUNICATION ENGINEERING

ECE 246 LABORATORY HOMEWORK

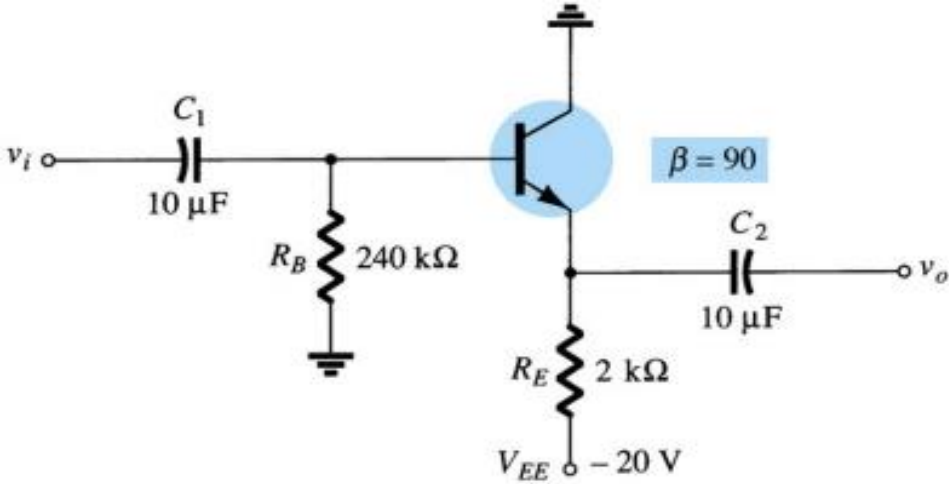
QUESTION 1 => Calculate the following for the fixed-bias configuration of Fig. 1.2.

- A. Beta, I_B (Base Current), and I_C (Collector Current)
- B. V_B (Base Voltage), V_C (Collector Voltage), V_E (Emitter Voltage),
And V_{CE} (Emitter-Collector Voltage)



(Figure 1.2: The Fixed-Bias Configuration)

QUESTION 2 =)



For the above figure, Calculate all DC currents and voltages.