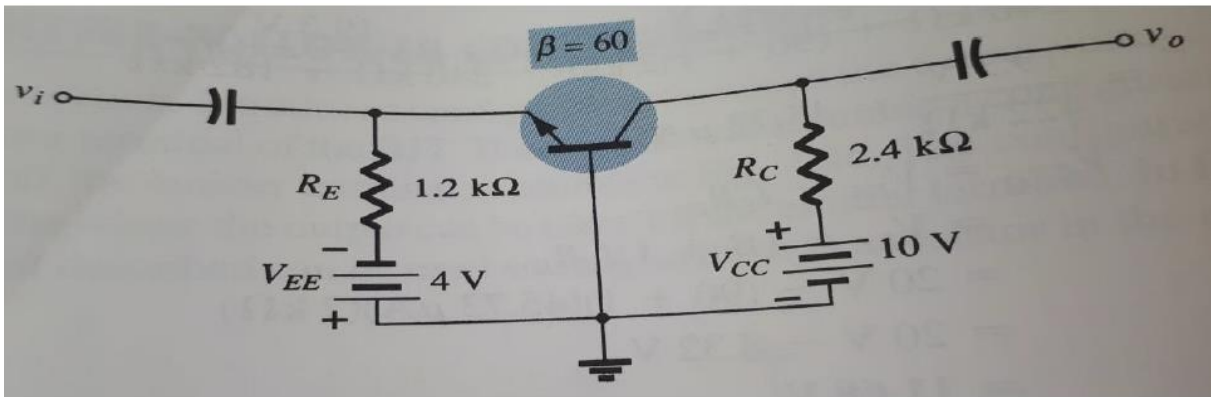




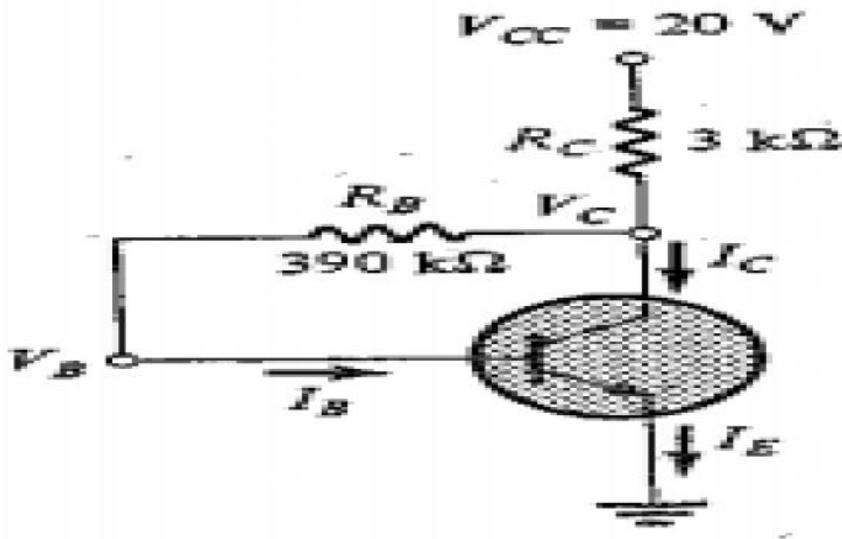
ÇANKAYA UNIVERSITY

ECE 246 LABORATORY HOMEWORK 2

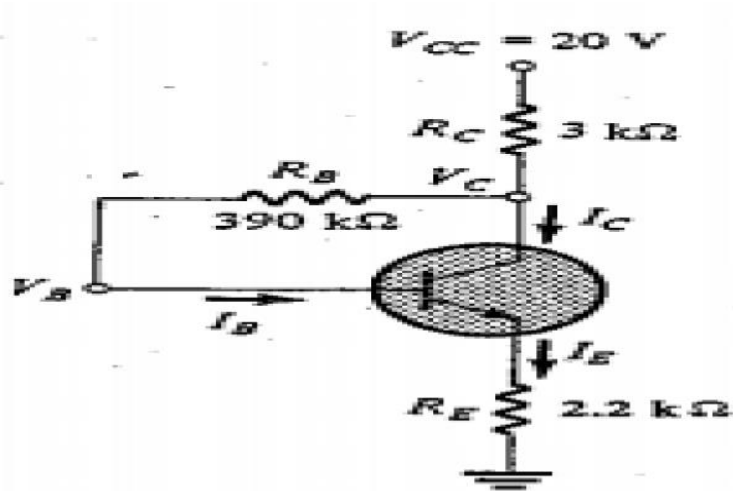
QUESTION 1 => Determine the currents I_E (Emitter Current), and I_B (Base Current) and the voltages V_{CE} and V_{CB} for the common-base configuration of the following figure.



QUESTION 2 => Using the beta determined in Question 1 (Beta = 60), Calculate the values of I_B (Base Current), I_C (Collector Current), I_E (Emitter Current), V_B , V_C , and V_{CE} .



QUESTION 3 ⇒ Using the beta determined in Question 1 (Beta= 60), Calculate the values of I_B (Base Current), I_C (Collector Current), I_E (Emitter Current), V_B , V_C , and V_{CE} .



QUESTION 4 ⇒ Determine V_C and V_B for the network of following figure.

